
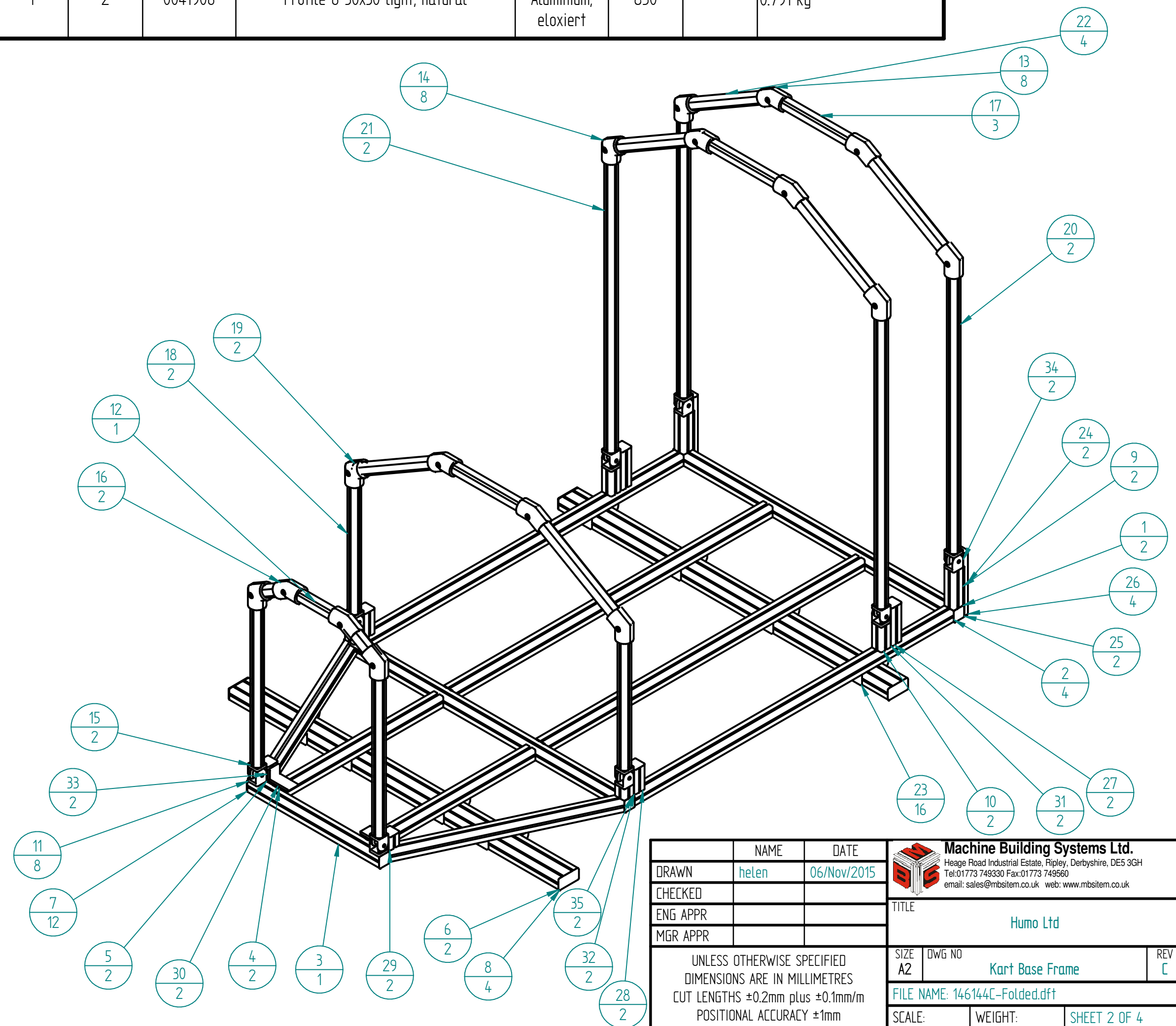


"Humo TM", intellectual property of S.Cruft

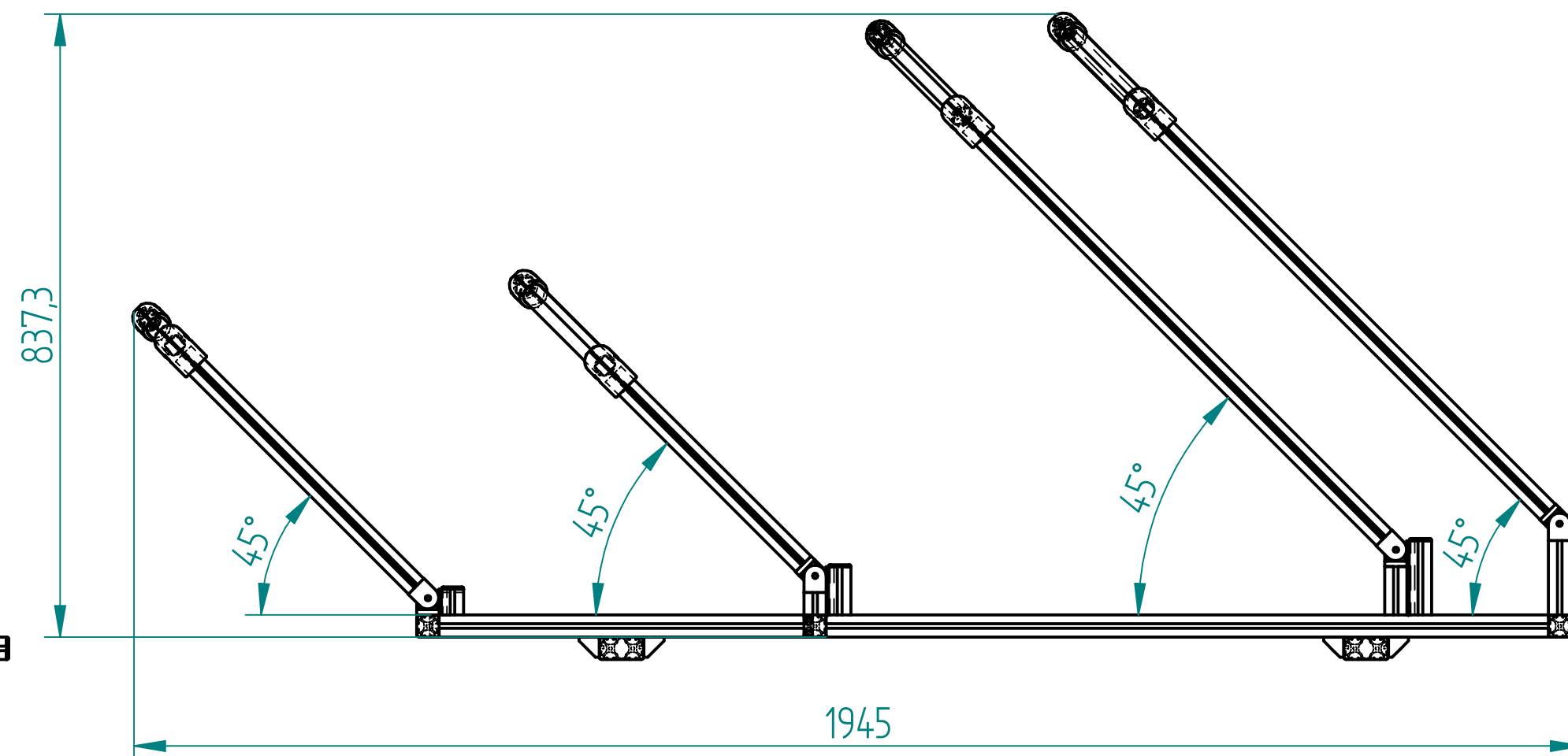
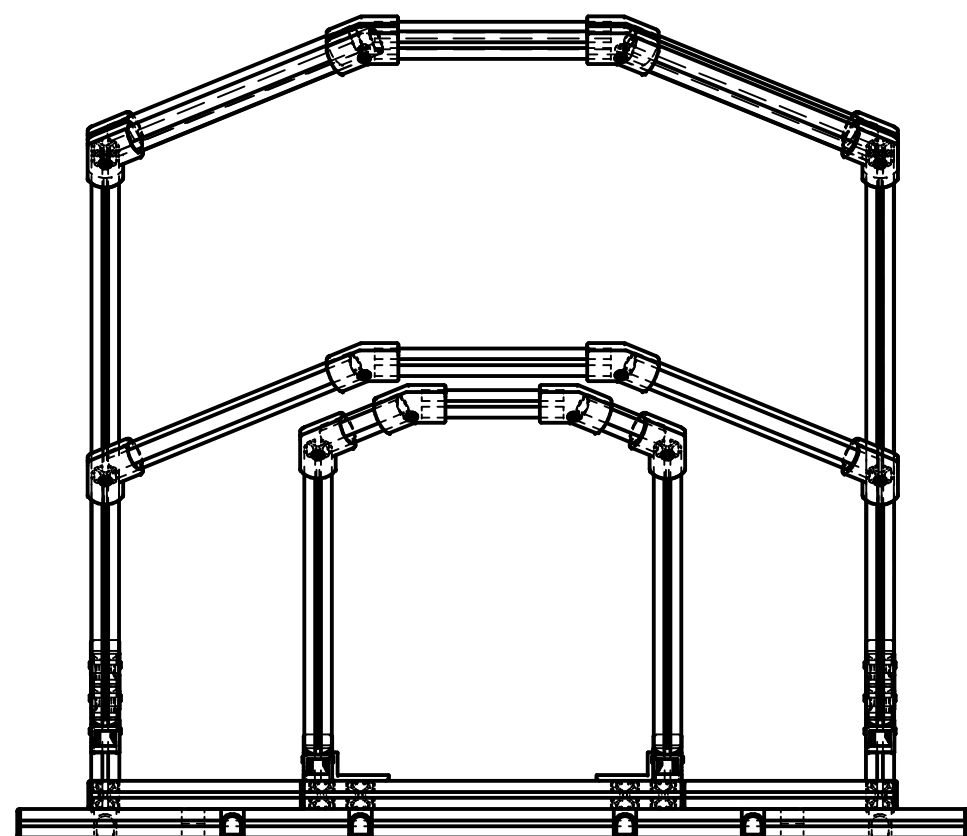
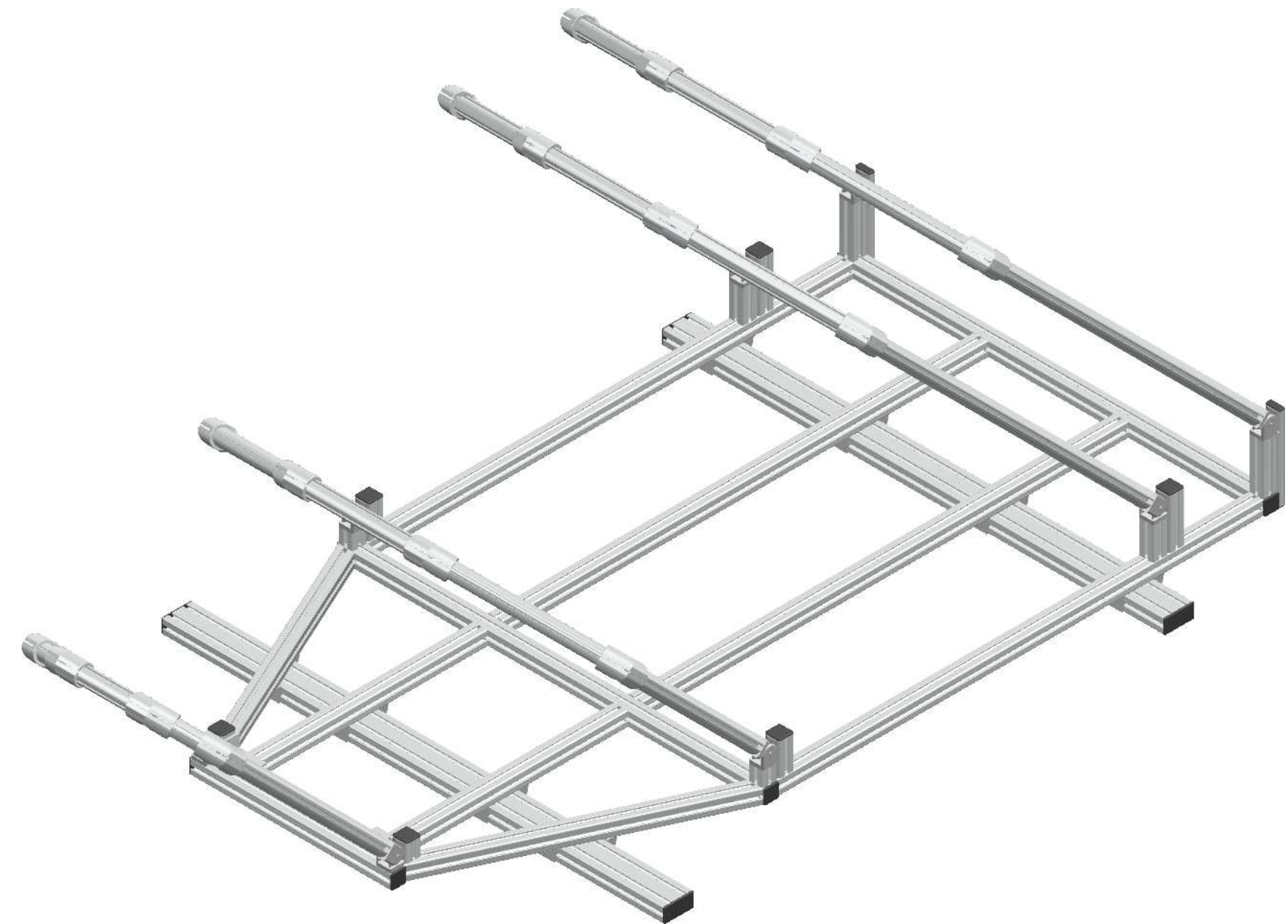
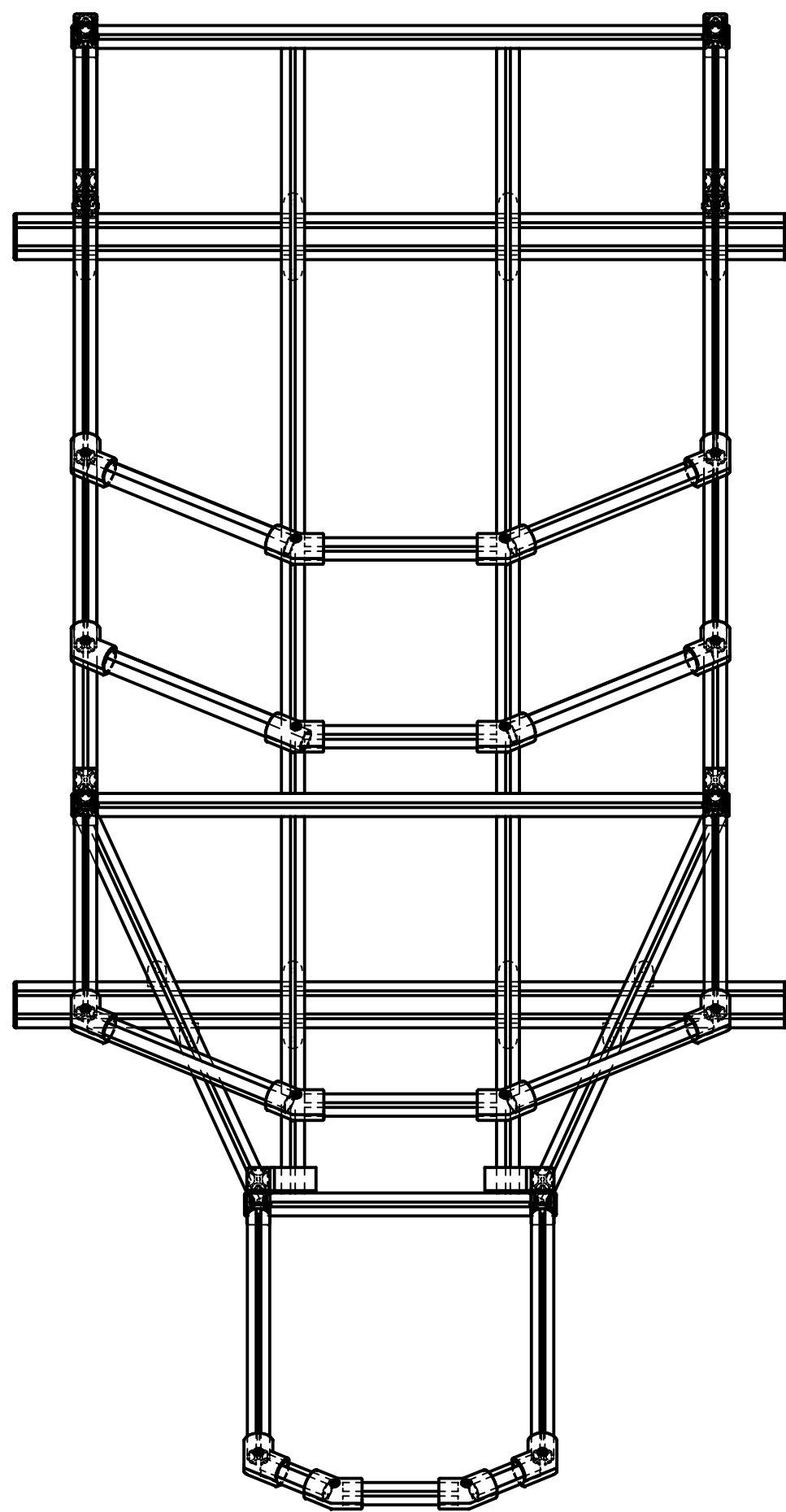
	NAME	DATE	 Machine Building Systems Ltd. Heage Road Industrial Estate, Ripley, Derbyshire, DE5 3GH Tel: 01773 749330 Fax: 01773 749560 email: sales@mbsitem.co.uk web: www.mbsitem.co.uk	
DRAWN	helen	06/Nov/2015	TITLE	
CHECKED			Humo Ltd	
ENG APPR			SIZE	DWG NO
MGR APPR			A2	Kart Base Frame
UNLESS OTHERWISE SPECIFIED DIMENSIONS ARE IN MILLIMETRES CUT LENGTHS ±0.2mm plus ±0.1mm/m POSITIONAL ACCURACY ±1mm			FILE NAME:	REV
			146144C-Folded.dft	C
			SCALE:	WEIGHT:
				SHEET 1 OF 4


Pos.	Quantity	Part No	Description	Material	Length	Width	Mass (Item)
35	2	0041906	Profile 6 30x30 Light, natural	Aluminium, eloxiert	30		0.028 kg
34	2	0043934	Cover Profile 6 24x3, black	NBR, schwarz	34.5		0.004 kg
33	2	0043934	Cover Profile 6 24x3, black	NBR, schwarz	45		0.005 kg
32	2	0043934	Cover Profile 6 24x3, black	NBR, schwarz	64.5		0.008 kg
31	2	0043934	Cover Profile 6 24x3, black	NBR, schwarz	99.5		0.012 kg
30	2	0060964	Profile M W60x30x6 E, natural	Aluminium, eloxiert	30		0.040 kg
29	2	0041906	Profile 6 30x30 light, natural	Aluminium, eloxiert	34.5		0.032 kg
28	2	0041906	Profile 6 30x30 light, natural	Aluminium, eloxiert	64.5		0.060 kg
27	2	0041906	Profile 6 30x30 light, natural	Aluminium, eloxiert	99.5		0.093 kg
26	4	0047809	Cap 6 30x12, black	PA-GF			0.001 kg
25	2	0060960	Profile M 30x3 E, natural	Aluminium, eloxiert	130		0.031 kg
24	2	0047805	Profile 6 30x12 Light, natural	Aluminium, eloxiert	164.5		0.071 kg
23	16	0044198	Angle Clamp Bracket 6	Zink-Druckguss			0.066 kg
22	4	0062828	Profile Tube D30, natural	Aluminium, eloxiert	295.20 mm		0.156 kg
21	2	0061646	Profile 6 D30, natural	Aluminium, eloxiert	785.9		0.589 kg
20	2	0061646	Profile 6 D30, natural	Aluminium, eloxiert	750.8		0.563 kg
19	2	0062828	Profile Tube D30, natural	Aluminium, eloxiert	295.30 mm		0.157 kg
18	2	0061646	Profile 6 D30, natural	Aluminium, eloxiert	360.8		0.271 kg
17	3	0062828	Profile Tube D30, natural	Aluminium, eloxiert	250.00 mm		0.133 kg
16	2	0062828	Profile Tube D30, natural	Aluminium, eloxiert	93.00 mm		0.049 kg
15	2	0061646	Profile 6 D30, natural	Aluminium, eloxiert	442		0.332 kg
14	8	0064694	Butt Fastener D30-60, natural	Aluminium, eloxiert			0.128 kg
13	8	0064610	Butt Fastener D30-30, natural	Aluminium, eloxiert			0.129 kg
12	1	0062828	Profile Tube D30, natural	Aluminium, eloxiert	150.00 mm		0.080 kg
11	8	0041980	Hinge 6 30x30, heavy-duty	Sonstiges			0.125 kg
10	2	0041906	Profile 6 30x30 light, natural	Aluminium, eloxiert	65		0.060 kg

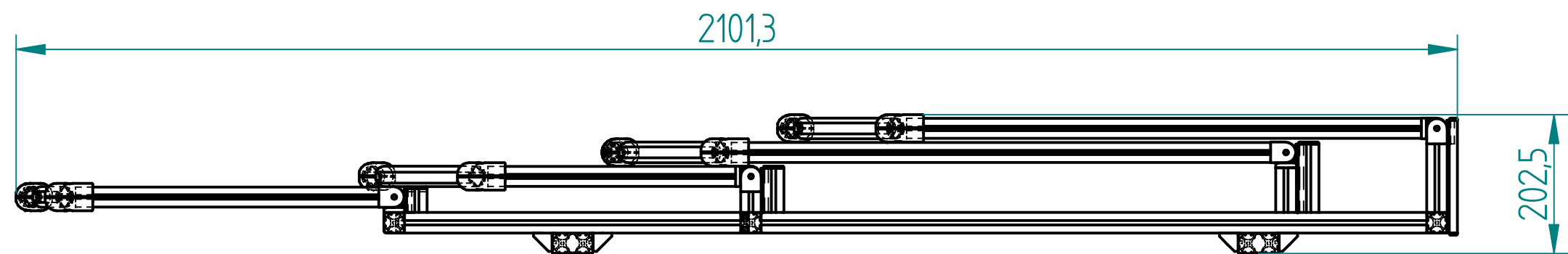
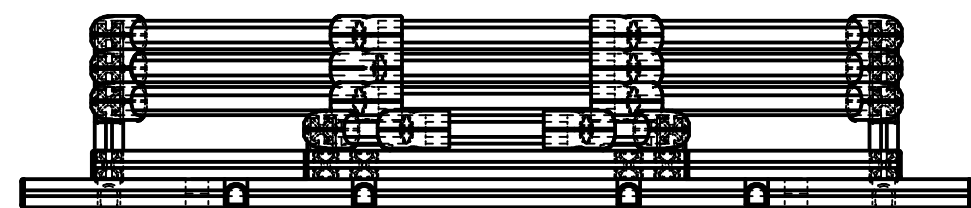
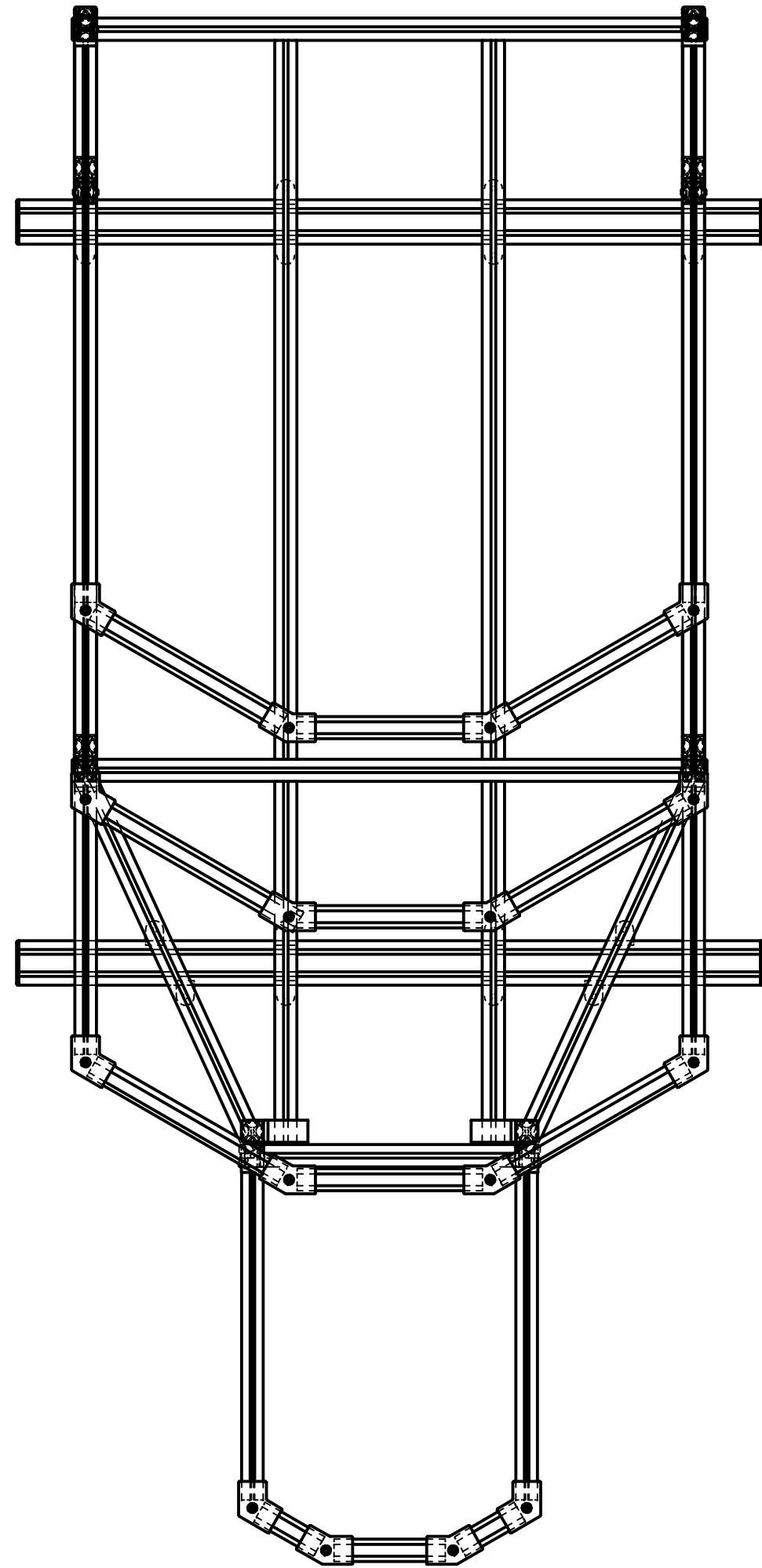
Pos.	Quantity	Part No	Description	Material	Length	Width	Mass (Item)
9	2	0041906	Profile 6 30x30 light, natural	Aluminium, eloxiert	100		0.093 kg
8	4	0041923	Cap 6 60x30, black	PA-GF			0.005 kg
7	12	0041922	Cap 6 30x30, black	PA-GF			0.003 kg
6	2	0041907	Profile 6 60x30 light, natural	Aluminium, eloxiert	1000		1.650 kg
5	2	0041906	Profile 6 30x30 light, natural	Aluminium, eloxiert	553		0.514 kg
4	2	0041906	Profile 6 30x30 light, natural	Aluminium, eloxiert	490		0.457 kg
3	1	0041906	Profile 6 30x30 light, natural	Aluminium, eloxiert	400		0.372 kg
2	4	0041906	Profile 6 30x30 light, natural	Aluminium, eloxiert	970		0.902 kg
1	2	0041906	Profile 6 30x30 light, natural	Aluminium, eloxiert	850		0.791 kg




NAME		DATE	Machine Building Systems Ltd.	
DRAWN	helen	06/Nov/2015	Heage Road Industrial Estate, Ripley, Derbyshire, DE5 3GH Tel: 01773 749330 Fax: 01773 749560 email: sales@mbsitem.co.uk web: www.mbsitem.co.uk	
CHECKED			TITLE Humo Ltd	
ENG APPR			SIZE A2	DWG NO Kart Base Frame
MGR APPR			FILE NAME: 146144C-Folded.dft	REV C
UNLESS OTHERWISE SPECIFIED DIMENSIONS ARE IN MILLIMETRES CUT LENGTHS ±0.2mm plus ±0.1mm/m POSITIONAL ACCURACY ±1mm			SCALE:	WEIGHT: SHEET 2 OF 4



	NAME	DATE	 Machine Building Systems Ltd. Heage Road Industrial Estate, Ripley, Derbyshire, DE5 3GH Tel: 01773 749330 Fax: 01773 749560 email: sales@mbsitem.co.uk web: www.mbsitem.co.uk	
DRAWN	helen	06/Nov/2015	TITLE	
CHECKED			Humo Ltd	
ENG APPR			SIZE	DWG NO
MGR APPR			A2	Kart Base Frame
UNLESS OTHERWISE SPECIFIED DIMENSIONS ARE IN MILLIMETRES CUT LENGTHS $\pm 0.2\text{mm}$ plus $\pm 0.1\text{mm/m}$ POSITIONAL ACCURACY $\pm 1\text{mm}$			FILE NAME:	REV
			SCALE:	C
			WEIGHT:	SHEET 3 OF 4



	NAME	DATE	 Machine Building Systems Ltd. Heage Road Industrial Estate, Ripley, Derbyshire, DE5 3GH Tel: 01773 749330 Fax: 01773 749560 email: sales@mbsitem.co.uk web: www.mbsitem.co.uk	TITLE	
DRAWN	helen	06/Nov/2015		Humo Ltd	
CHECKED					
ENG APPR					
MGR APPR					
UNLESS OTHERWISE SPECIFIED DIMENSIONS ARE IN MILLIMETRES CUT LENGTHS ±0.2mm plus ±0.1mm/m POSITIONAL ACCURACY ±1mm			SIZE A2	DWG NO Kart Base Frame	REV C
			FILE NAME: 146144C-Folded.dft	SCALE:	WEIGHT: SHEET 4 OF 4